



# SCISSOR LIFT PRODUCT GUIDE



# Product Guide Contents

## Mid Rise Scissor Lifts



**Rotary** XS30N



**TECHNIQUE** T1210

## Low Profile Scissor Lifts



**Rotary** DS35



**TECHNIQUE** T1220



Follow us on social media! Search TR Bullworthy!





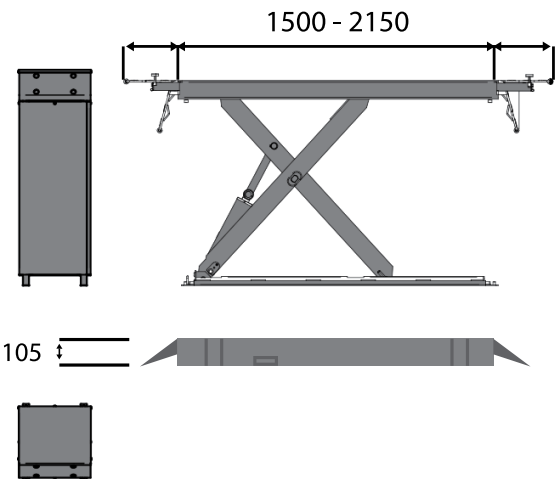
# XS30N Mid Rise Scissor Lift

The XS30N short-stroke scissor lift impresses with its generously dimensioned platform length and width, which ensures that a wide range of vehicles can be accommodated. It covers the requirements in the field of tyre and body service.

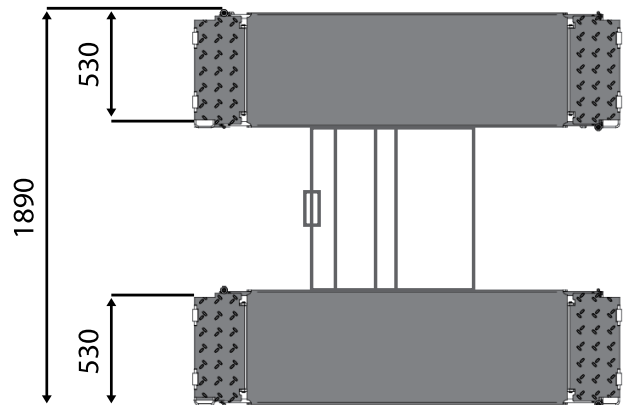


**Mobile kit included as standard!**

- Great for moving around the workshop.
- Flexible adaptation of small and large vehicles through wide overall width and length.
- Large adjustment range, platform extensions can be locked with one handle.
- Flat design, drive-on height 105mm.
- Corrosion protection provided by powder coating.
- Optional with cathodic corrosion protection (CAT) for platforms and base frames.
- Double safety due to hydraulic system and 2 torsion shafts for stability and synchronisation.
- Silent hydraulic unit integrated in control desk.
- Push button control.
- Integrated tray option for documents or tablets.
- Good accessibility of hydraulic and electrical components.
- Integrated emergency lowering in case of power failure.
- 40mm rubber pads included.



Capacity	3000kg
Stroke	1000mm
Lifting Time	30 seconds
Lowering Time	20 seconds
Lifting Height	105mm
Total Width	1890mm
Motor Power	2.6 kW
Power Supply	230 / 400 V, 50 Hz
Weight	530kg



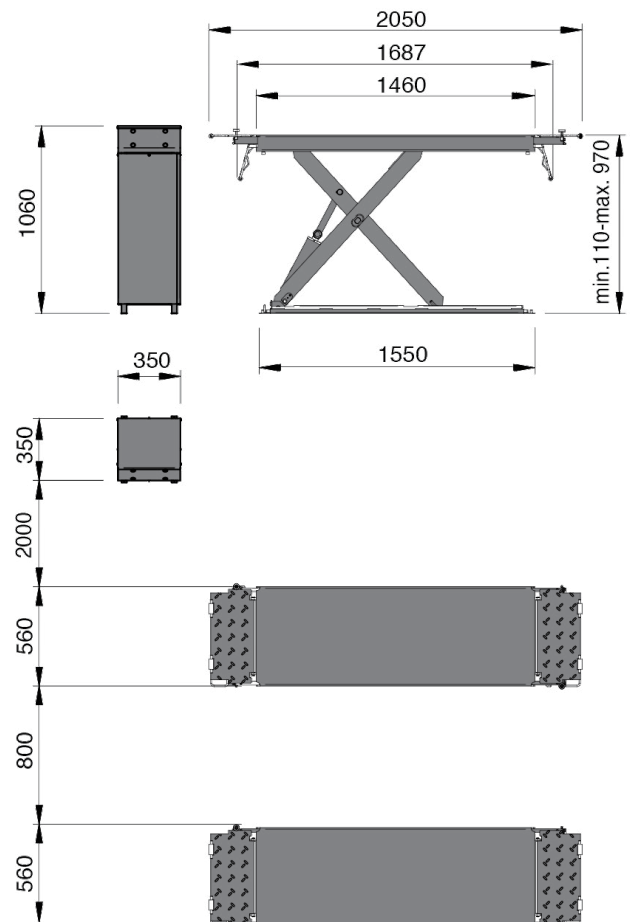
Visit our website today! [www.bullworthy.co.uk](http://www.bullworthy.co.uk)

The T1210-35 can be recessed in the same tradition as a full height scissor lift. Locking run on ramps allow the platform to be extended front and rear of the platform area. The hydraulic synchronisation system with automatic levelling function prevents an uneven lifting or lowering of the load.

- Each platform includes a suspended run-on-ramp capable of being locked into the level position. This enables each platform to be extended not just once, but twice for the ever increasing variants of vehicles. Platform range is 1460mm up to 2050mm.
- The scissor platforms and bases incorporate generously sized self-lubricating sliders for reduced wear.
- Increased size scissor framework for superior stability when lifting vehicles.
- Hydraulic levelling system with dual master (two cylinders per platform) for total safety without the need for mechanical latches.
- Galvanised scissor base to prevent corrosion when set into a recess.
- 40mm rubber lifting blocks as standard.
- Ideal for recess mounting – no strengthening bars between the platforms



CAPACITY  
**3.5<sub>T</sub>**



Capacity	3500kg
Platform Width	560mm
Platform Length	1460mm - 1687mm
Lifting Height	970mm
Motor Power	3 kW
Power Supply	230 / 400 V, 50 Hz







# DS35 Low Profile Scissor Lift

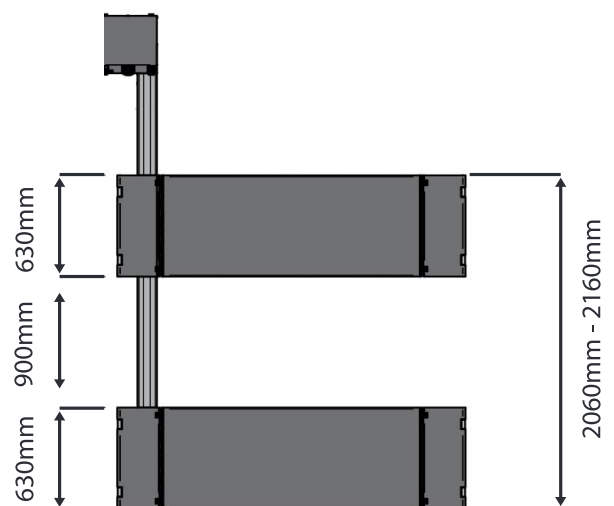
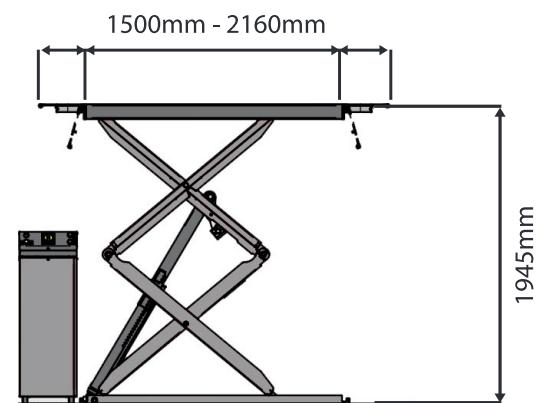
The DS35 low-profile double scissor lift has been specially designed for the service and repair sector within the independent market and the dealer group workshops. The newly designed flexible mounting platforms allow for a broad mounting range. With this lift holding many vehicle manufacturer approvals, it becomes the first choice for space saving in any busy workshop.

- Cathodic corrosion protection and powder coated RAL7012/7040.
- Adjustable platform, length 1500 - 2160mm.
- Suitable for vehicles up to VW T5/T6 with short wheelbase.
- Flat design, drive-on height 105mm.
- Electro-hydraulic operation with self-bleeding system.
- Two independent hydraulic circuits with four maintenance-free cylinders.
- Self-lubricating sliding bearings.
- Silent hydraulic unit integrated in control desk with integrated manometer.
- Integrated tray option for documents or tablets.
- No mechanical connection between platforms.
- Emergency lowering in case of general power failure.
- Lift suitable for recessed installation.
- Lowering of lift is being stopped when hitting an obstacle.

Capacity	3500kg
Stroke	1945mm
Platform Length	1500mm - 2160mm
Overall Width	2060mm - 2160mm
Lifting Time	40 seconds
Lowering Time	40 seconds
Lifting Height	105mm
Motor Power	3 kW
Power Supply	230 / 400 V, 50 Hz



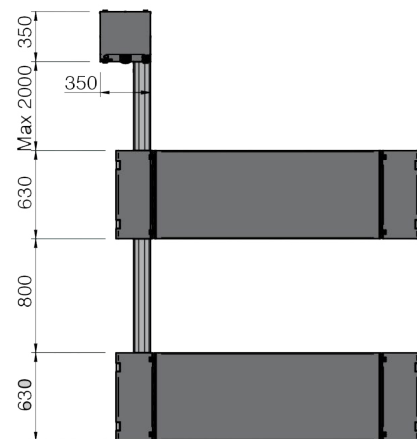
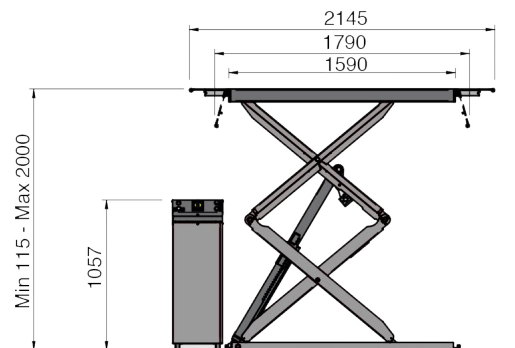
CAPACITY  
**3.5<sub>T</sub>**



Subscribe to our monthly newsletter on our website!

The Technique T1220 low profile dual scissor lifts have been developed to cater for all applications and needs. This lift is an Italian thoroughbred in design and manufacture making it a first choice for the fast fit workshops and tight spaces. Special attention has been made to parts of the lift where others fail, such as the fully galvanising the base frame, galvanising the run on ramps, and including fully adjustable levelling screws which make this lift ideal for replacing old recessed scissor lift units.

- Runway and base with generously sized, self-lubricating sliding shoes.
- Special lift linkage, for lifting loads even from the lowest lift height.
- 4 travel limit adjuster screws for minimum runway height from floor, for perfectly level runways when lowered.
- Unique arm geometry for maximum stiffness and minimised space usage.
- Runways with suspended flaps which also act as vehicle access ramps.
- High strength pivot pins with maintenance-free bearings.

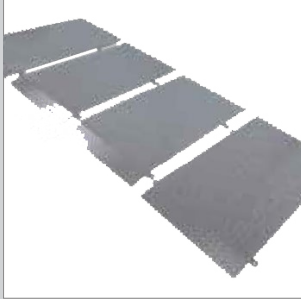


Capacity	3500kg - 4000kg
Platform Width	630mm
Platform Length	2175mm
Lifting Time	40 seconds
Lowering Time	40 seconds
Lifting Height	1000mm - 2000mm
Motor Power	3 kW
Power Supply	230 / 400 V, 50 Hz



# Optional Accessories

These additional accessories can be used in conjunction with the lifts featured in this product guide.



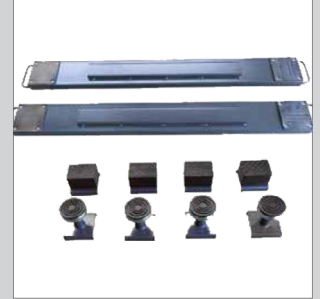
Sports car set of long ramps for surface mounted versions.



Prefabricated formers to aid recess civil works.



Kit of 4 x rubber blocks 80mm high.



Pair of beams for all terrain vehicles and light vans.

## **T**TECHNIQUE

### Did you know?

Technique offers a varied range of large platform scissor lifts which can be used within a multitude of applications including:-



**MOT Bays**



**Servicing & Repairs**



**Wheel Alignment**



**Combination of all**

Contact us today for more information on the Technique range of scissor lifts!



Visit our website today! [www.bullworthy.co.uk](http://www.bullworthy.co.uk)





**BULLWORTHY**  
THE GARAGE EQUIPMENT SPECIALISTS

MAIN OFFICE: T.R BULLWORTHY LTD. UNIT 7, MANOR BUSINESS PARK, WOODFORD HALSE, NORTHAMPTONSHIRE, NN11 3UB



(01295) 768 373



enquiries@bullworthy.co.uk



www.bullworthy.co.uk